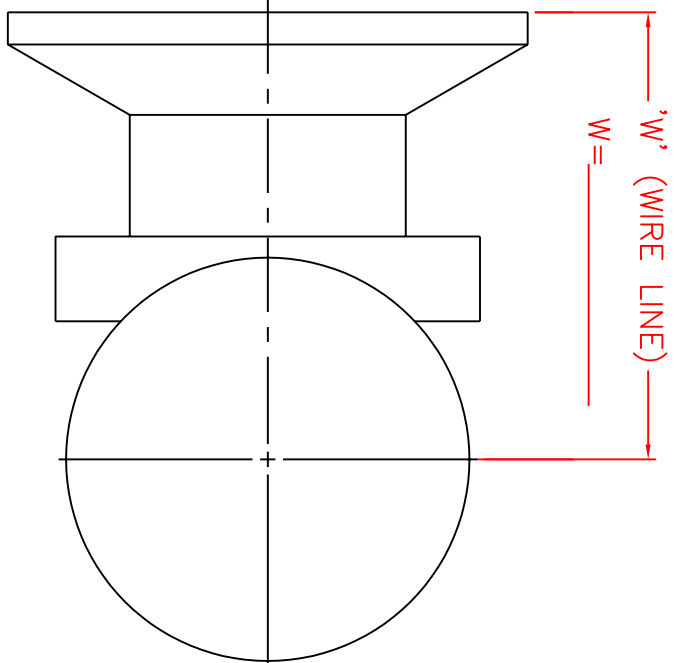
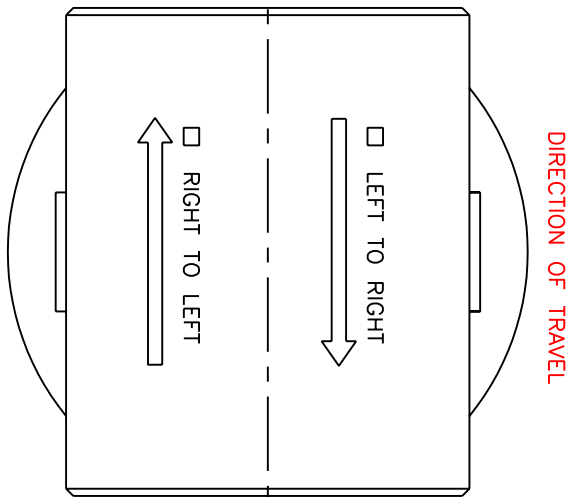
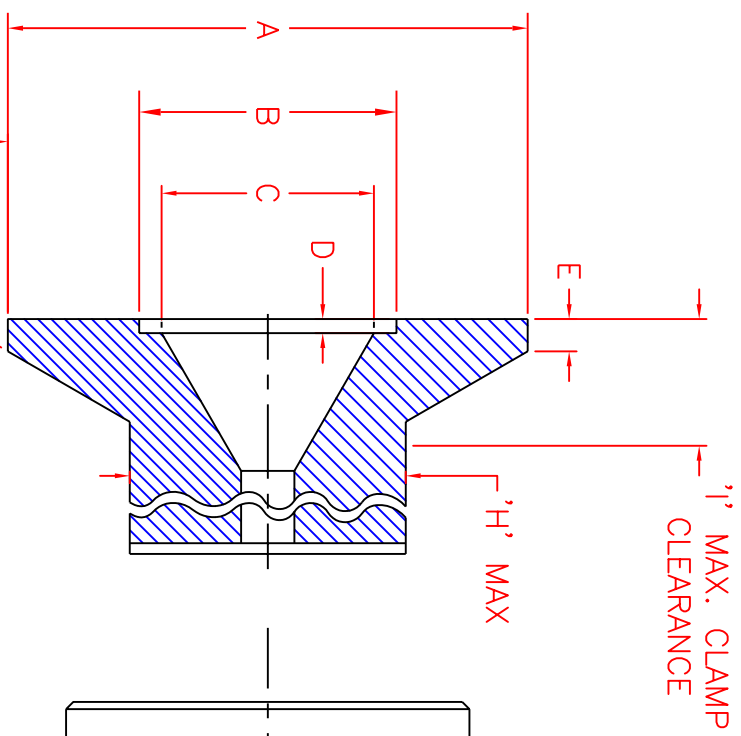


| | | | | |
|------|-----------------|------|--------|---------|
| DCR# | REASON | REV. | DATE: | INITIAL |
| | ADDED 'H' & 'I' | | 1/8/02 | JTN |



- THERMO-COUPPLING REQUIRED
BRAND: _____
- MELT PROBE / PRESSURE PORT REQUIRED
BRAND: _____

- CROSSBAR MOUNTING HOLES
- ONE END BOTH ENDS

| | |
|---|--|
| A | |
| B | |
| C | |
| D | |
| E | |
| F | |
| G | |
| H | |
| I | |

GULL TOOL & ENGINEERING CO.
 10 PIKE ST., WEST WARWICK, RI
 401-828-7600 FAX 401-823-5310

DRAWING TITLE: CLAMP STYLE FLANGE BLANK

GROSS REFERENCE: SALES BOOK

TOLERANCES UNLESS SPECIFIED DR. BY: MATERIAL:
 .X=±.1 .XX=±.01 .XXX=±.005 JMP

DATE: 10/4/01 SCALE: FULL APPROVE: DRAWING NO. SB-0301