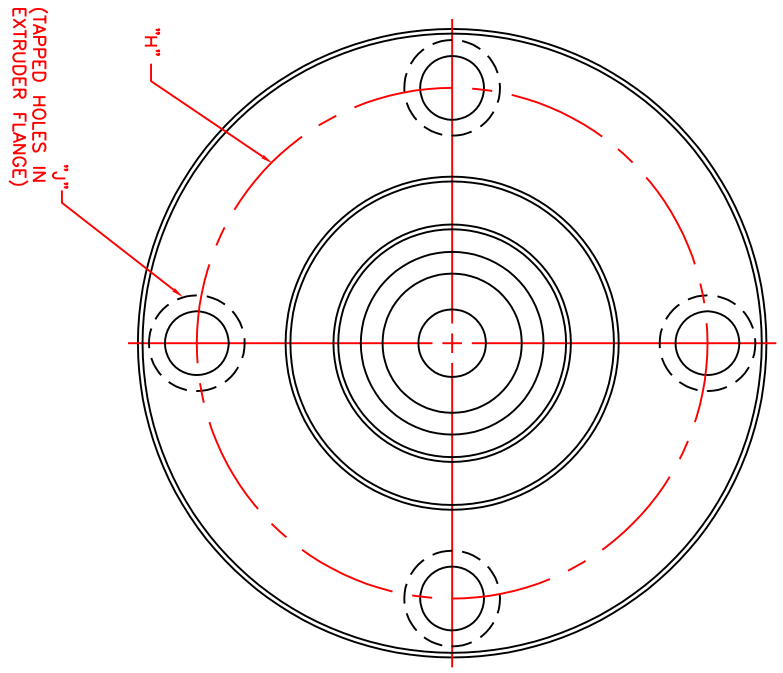
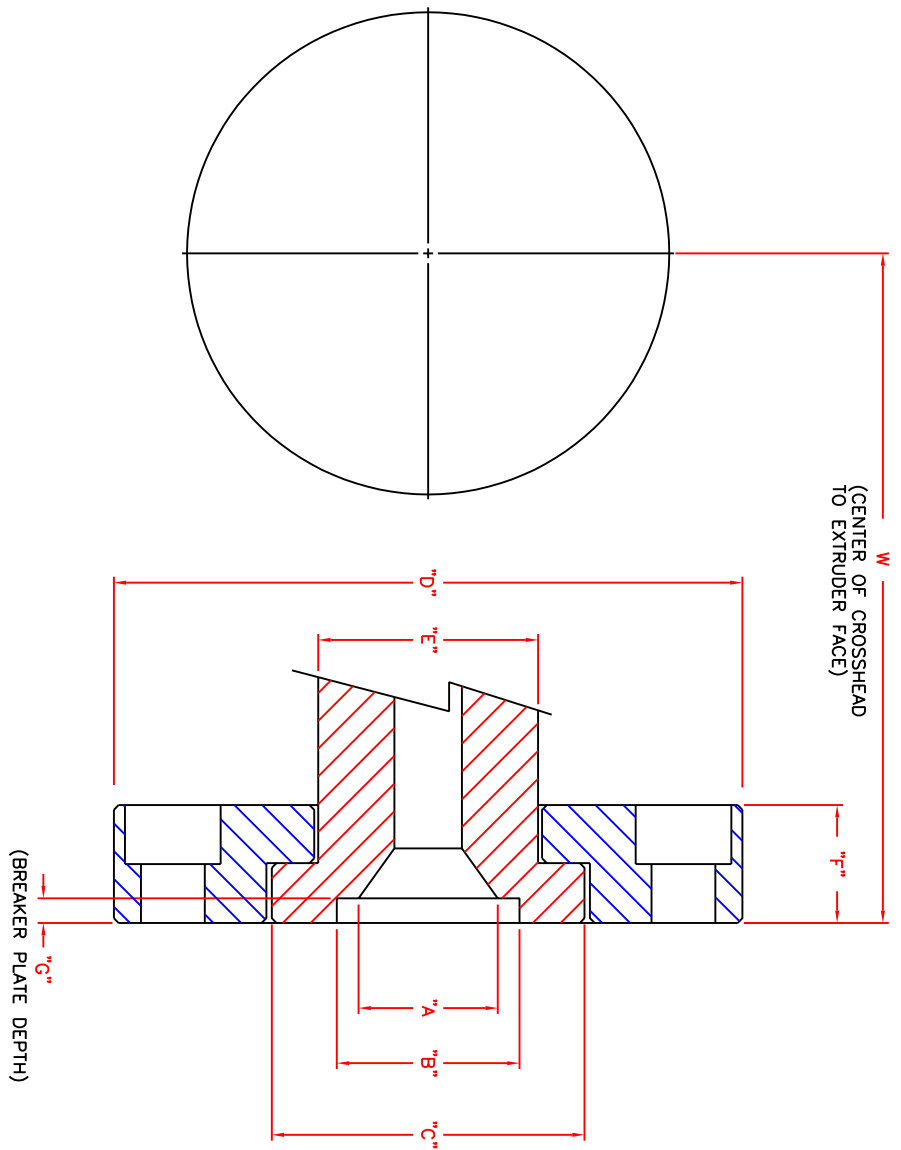


DCR #	REASON	REV.	DATE:	INITIAL



A	B	C	D	E	F	G	H	J	W

GULL TOOL & ENGINEERING CO.  
 10 PIKE ST., WEST WARWICK, RI  
 401-828-7600 FAX 401-823-5310  
 DRAWING TITLE: HUB STYLE BLANK DRAWING  
 GROSS REFERENCE: SALES BOOK  
 TOLERANCES UNLESS SPECIFIED:  
 .X=±.1 .XX=±.01 .XXX=±.005  
 DATE: 3/22/99 SCALE: FULL APPROVE: DR. BY: JMP MATERIAL: N/A  
 SB-0302

**CONFIDENTIAL**  
 NOT TO BE DUPLICATED  
 WITHOUT WRITTEN  
 PERMISSION FROM  
 GULL TOOL.  
 PATENT PENDING.