

Standard 700 Series

Crossheads

Guill

ISO 9001:2000 Certified



Offers flexibility

Accepts existing tooling

Design options include:

- Single Pressure
- Single Tubing
- Multi-Lumen
- Co-Extrusion Pressure
- Co-Extrusion Tubing
- Co-Extrusion Tube on Tube
- Triple Pressure
- Triple Tube
- Multiple Stripes
- Four Layer
- Five Layer
- Custom Design

The Leader in Extrusion Tooling Design

The following benefits and features are inherent to Guill Tool's Standard 700 Series Crossheads:

Features:

Patented deflector

Adjustable center

Adjustable gum space

Flexible tool design

Quick change tooling

Low volume

Flexible mounting options

Striping capability

Benefits:

- ▶ Able to run concentric walls at all speeds
- ▶ Able to hold close tolerance walls
- ▶ More control of product size
- ▶ Able to use existing tools
- ▶ Less down time
- ▶ No burning or stagnation - quick color change reduces inventory
- ▶ Adapts to all extruders
- ▶

Model #	Core Diameter	Max Die
	Inches	Inches
714	.250	.375
718	.312	.625
720	.625	.875
722	1.250	1.750
723	1.750	2.250
725	2.500	3.000
727	3.000	4.000
728	4.000	5.000

Materials

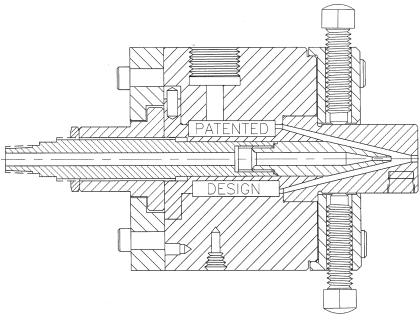
Plastics Application:

Tool Steel or Stainless Steel

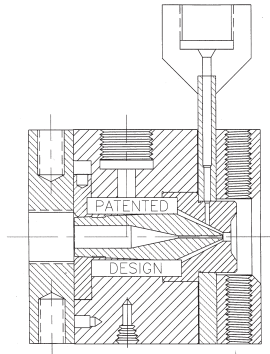
Fluoropolymer Application:

Monel, Inconel® or Hastelloy®

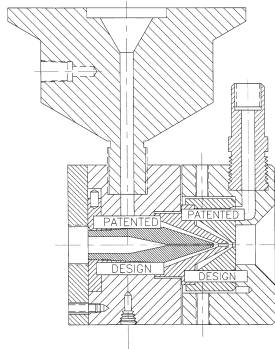
Standard 700 Series



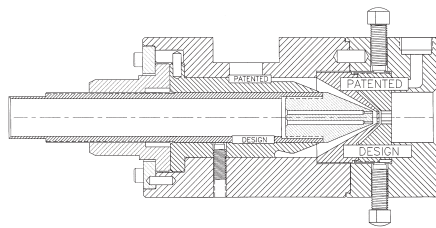
Single Layer



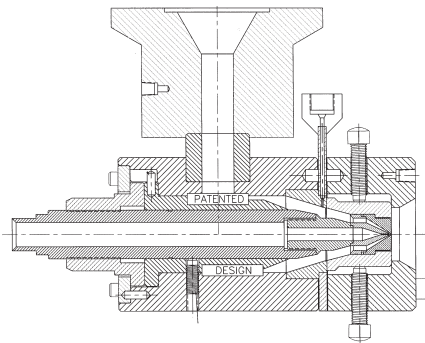
Single Stripe



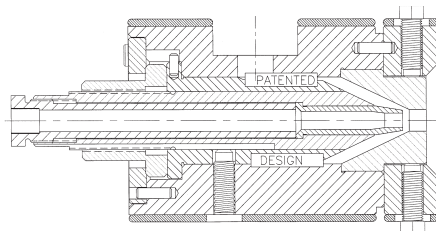
Co-Extrusion



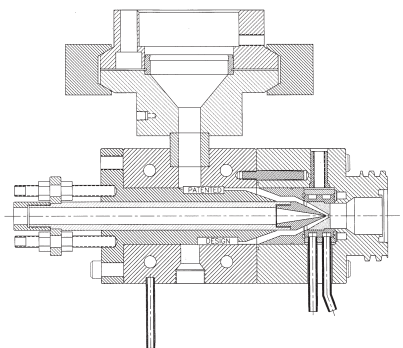
Duplex with Co-Extrusion



Fixed Center Stripe



Accepts Special Tools



Water Jacket

Custom
design
available to
suit your
every need.

Guill

since 1962

Quality Statement Customer Satisfaction

Guill Tool & Engineering Co., Inc. and each employee commit to satisfy and exceed the needs of our customers. Requirements of ANSI/ASQC Q9001-1994 International Standards (ISO 9001) are communicated and maintained at all levels of the company through training and internal audits. Every employee exhibits a high degree of quality ownership in the products and customer service provided.

**ISO 9001:2000
Certified**

Visit our
High-Tech
Manufacturing
Facility

Guaranteed
to outperform
your existing
equipment.

The 700 Series

Guill Tool Crossheads
are available
in the following:

- Single Pressure
- Single Tubing
- Multi-Lumen
- Co-Extrusion Pressure
- Co-Extrusion Tubing
- Co-Extrusion Tube on Tube
- Triple Pressure
- Triple Tube
- Multiple Stripes
- Four Layer
- Five Layer
- Custom Design

Made in the U.S.A.

Guill Tool & Engineering Co., Inc. • 10 Pike St. • West Warwick, RI 02893 • USA
phone: 401-828-7600 • fax 401-823-5310
visit our web site @ www.guill.com